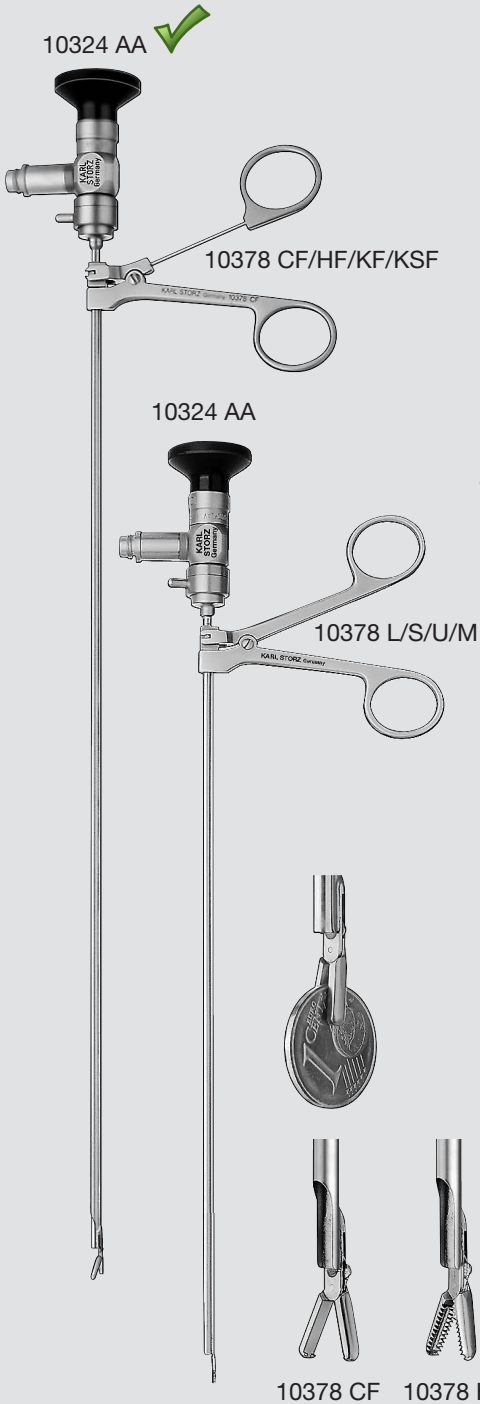


Optical Forceps and Scissors

for Pediatric Esophagoscopes, size 6 – 3.5, length 30 cm – 18.5 cm

Special Features:

- Newly designed forceps for hard and soft foreign bodies enable removal under precise optical control not previously possible
- Small size of forceps allows them to be introduced through pediatric esophagoscopes as of size 3.5 cm and in lengths 30 – 18.5 cm
- Foreign bodies can be removed quickly and with utmost safety
- Better assessment of the depth of cut when taking biopsies



For use with Esophagoscopes 12030 A – C:

- ✓ 10324 AA **HOPKINS® Straight Forward Telescope 0°**, diameter 2.9 mm, length 36 cm, **autoclavable**, fiber optic light transmission incorporated, color code: green
- 10378 CF **Optical Forceps**, 2 x 2 teeth, for grasping coins and flat foreign bodies, with spring-action handle
- 10378 HF **Optical Forceps**, alligator, for grasping hard foreign bodies, with spring-action handle
- 10378 KF **Optical Forceps**, with KILLIAN bean jaws, for grasping peanuts and soft foreign bodies, with spring-action handle
- NEW** 10378 KSF **Optical Forceps**, VANCOUVER model, for grasping peanut fragments and soft foreign bodies, with spring-action handle
- 10378 L **Optical Forceps**, spoon-shaped, for biopsy
- 10378 S **Optical Scissors**
- 10378 U **Optical Forceps**, universal, for biopsy and foreign bodies removal
- 10378 M **Optical Forceps**, spoon-shaped, oval, for biopsy, large model

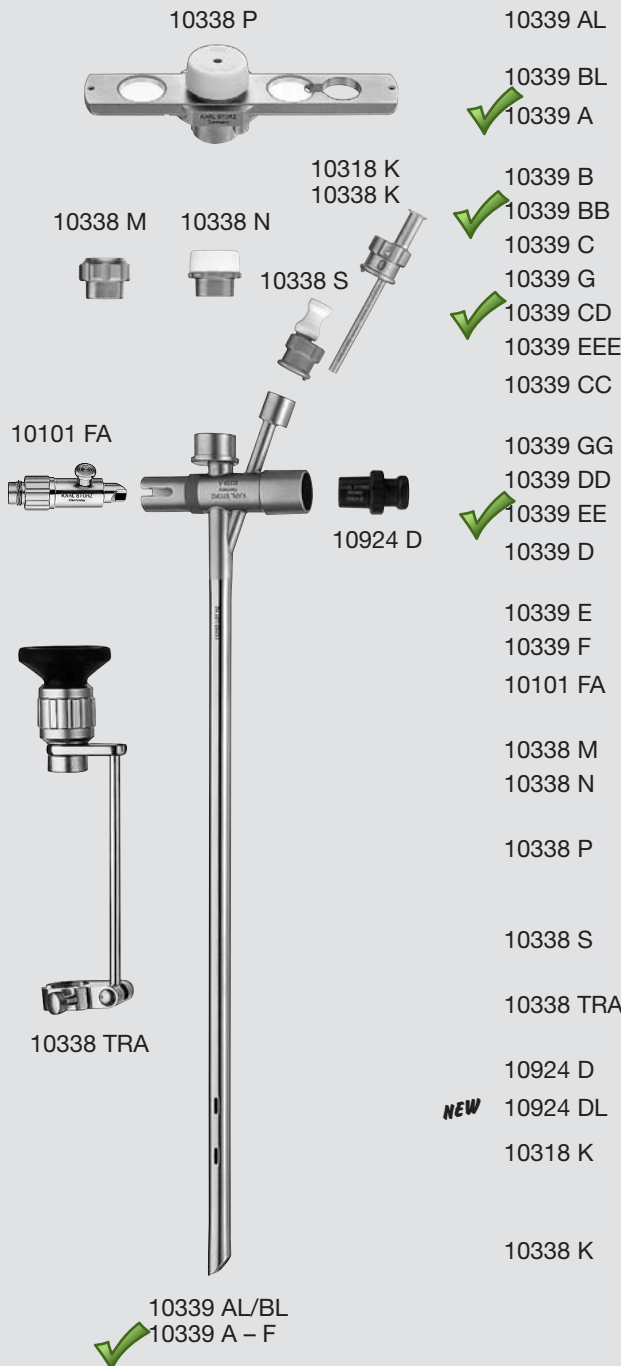


Pediatric Bronchoscopes

with proximal illumination

Special Features:

- Absence of distal light carrier does not restrict inner diameter
- Prismatic Light Deflector 10101 FA inserted proximally ensures best illumination and enables full use of lumen through operating instruments
- Excellent view of operation area
- Lateral channel for introducing suction catheters and fine instruments



- 10339 AL DOESEL-HUZLY Bronchoscope, size 6, length 40 cm
- 10339 BL Same, size 6
- 10339 A DOESEL-HUZLY Bronchoscope, size 6, length 30 cm
- 10339 B Same, size 5
- 10339 BB Same, size 4.5
- 10339 C Same, size 4
- 10339 G Same, size 3.7
- 10339 CD Same, size 3.5
- 10339 EEE Same, size 3
- 10339 CC DOESEL-HUZLY Bronchoscope, size 4, length 26 cm
- 10339 GG Same, size 3.7
- 10339 DD Same, size 3.5
- 10339 EE Same, size 3
- 10339 D DOESEL-HUZLY Bronchoscope, size 3.5, length 18.5 cm
- 10339 E Same, size 3
- 10339 F Same, size 2.5
- 10101 FA Prismatic Light Deflector, autoclavable, with connection to fiber optic light cable
- 10338 M Glass Window Plug
- 10338 N Rubber Telescope Guide, for use with telescopes and optical forceps
- 10338 P FLUVOG Adaptor, with sliding glass window plug, sealing cap, notched lens and keyhole opening, movable
- 10338 S Guide Piece, for suction catheter, short, bronchoscope for children and infants
- 10338 TRA Adjustable Magnifier, autoclavable, swing-away type, with ring adaption
- 10924 D Adaptor, for respirator
- NEW 10924 DL Adaptor, for respirator, long version
- 10318 K Injection Cannula, for positive pressure assisted ventilation system, LUER-Lock, outer diameter 3.5 mm
- 10338 K Injection Cannula, for positive pressure assisted ventilation system, LUER-Lock, outer diameter 2.7 mm, for use with Bronchoscopes 10339 E/EE/F

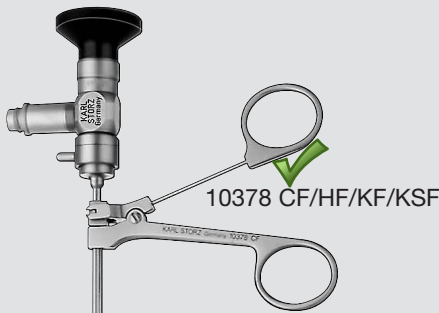
Optical Forceps and Scissors

for Pediatric Bronchoscopes size 6 – 3.5, length 30 cm – 18.5 cm

Special Features:

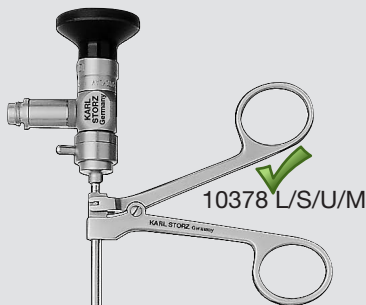
- Newly designed forceps enable removing of foreign bodies under precise optical control not previously possible
- Small size of forceps allows them to be introduced through pediatric bronchoscopes as of size 3.5 and larger in lengths ranging from 18.5 up to 30 cm
- Foreign bodies can be removed quickly and with utmost safety
- Better assessment of the depth of cut when taking biopsies

10324 AA



10378 CF/HF/KF/KSF

10324 AA



10378 L/S/U/M

For use with HOPKINS® Telescope 10324 AA and Bronchoscopes 10339 A – CD



10378 CF

Optical Forceps, 2 x 2 teeth, for grasping coins and flat foreign bodies, with spring-action handle



10378 HF

Optical Forceps, alligator, for grasping hard foreign bodies, with spring-action handle



10378 KF

Optical Forceps, with KILLIAN bean jaws, for grasping peanuts and soft foreign bodies, with spring-action handle

NEW

10378 KSF

Optical Forceps, VANCOUVER model, for grasping peanut fragments and soft foreign bodies, with spring-action handle



10378 L

Optical Forceps, spoon-shaped, for biopsy



10378 S

Optical Scissors



10378 U

Optical Forceps, universal, for biopsy and foreign bodies removal

10378 M

Optical Forceps, spoon-shaped, oval, for biopsy, large model



10378 CF

10378 HF

10378 KF

10378 KSF

10378 L

10378 S

10378 U

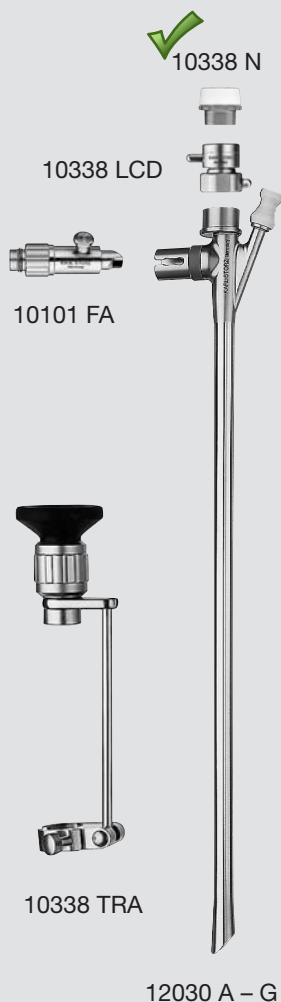
10378 M

Pediatric Esophagoscopes

with Proximal Illumination

Special Features:

- Absence of distal light carrier does not restrict inner diameter
- Prismatic Light Deflector 10101 FA inserted proximally ensures best illumination and enables full use of lumen through operating instruments
- Excellent view of operation area
- Lateral channel for introduction of instruments and catheters



- | | |
|-----------|---|
| 12030 A | Esophagoscope Tube , size 6, length 30 cm |
| 12030 B | Same , size 5 |
| 12030 C | Same , size 4 |
| 12030 F | Esophagoscope Tube , size 3.5 mm, length 18.5 cm |
| 12030 G | Same , size 3 |
| 10101 FA | Prismatic Light Deflector , autoclavable, with connection to fiber optic light cable |
| 10338 TRA | Adjustable Magnifier , autoclavable, swing-away type, with ring adaption |
| ✓ 10338 N | Rubber Telescope Guide , for use with telescopes and optical forceps |
| 10338 LCD | Telescope Bridge , for fixed position between bronchoscope and telescope |
- For use through lateral working channel of esophagoscopes, lengths 30 and 18.5 cm, under control of HOPKINS® Telescopes 10324 AA, 10020 ATA and 10018 AA:**
- | | |
|---------|---|
| 10338 U | Forceps , alligator, spoon-shaped, single action jaws, semiflexible, sheath diameter 1 mm, working length 35 cm |
| 10338 X | Forceps , spoon-shaped, for biopsy, single action jaws, semiflexible, sheath diameter 1 mm, working length 35 cm |
| 10468 B | Suction Catheter , 7 Fr., with Adaptor 10479 B |
| 10468 C | Suction Catheter , 6 Fr., with Adaptor 10479 C |
| 10468 D | Suction Catheter , 4 Fr., with Adaptor 10479 F |

Pediatric Bronchoscopes

with proximal illumination

Special Features:

- Absence of distal light carrier does not restrict inner diameter
- Prismatic Light Deflector 10101 FA inserted proximally ensures best illumination and enables full use of lumen through operating instruments
- Excellent view of operation area
- Lateral channel for introducing suction catheters and fine instruments

10339 AL DOESEL-HUZLY **Bronchoscope**, size 6, length 40 cm

10339 BL **Same**, size 6

10339 A DOESEL-HUZLY **Bronchoscope**, size 6, length 30 cm

10339 B **Same**, size 5

10339 BB **Same**, size 4.5

10339 C **Same**, size 4

10339 G **Same**, size 3.7

10339 CD **Same**, size 3.5

10339 EEE **Same**, size 3

10339 CC DOESEL-HUZLY **Bronchoscope**, size 4, length 26 cm

10339 GG **Same**, size 3.7

10339 DD **Same**, size 3.5

10339 EE **Same**, size 3

10339 D DOESEL-HUZLY **Bronchoscope**, size 3.5, length 18.5 cm

10339 E **Same**, size 3

10339 F **Same**, size 2.5

10101 FA **Prismatic Light Deflector, autoclavable**, with connection to fiber optic light cable

10338 M **Glass Window Plug**

10338 N **Rubber Telescope Guide**, for use with telescopes and optical forceps

10338 P FLUVOG **Adaptor**, with sliding glass window plug, sealing cap, notched lens and keyhole opening, movable

10338 S **Guide Piece**, for suction catheter, short, bronchoscope for children and infants

10338 TRA **Adjustable Magnifier, autoclavable**, swing-away type, with ring adaption

10924 D **Adaptor**, for respirator

NEW 10924 DL **Adaptor**, for respirator, long version

10318 K **Injection Cannula**, for positive pressure assisted ventilation system, LUER-Lock, outer diameter 3.5 mm

10338 K **Injection Cannula**, for positive pressure assisted ventilation system, LUER-Lock, outer diameter 2.7 mm, for use with Bronchoscopes 10339 E/EE/F

10339 AL/BL
10339 A – F

Product List

Nov 19, 2015

Page 1/1

Product Number	Quantity	Description
10378 X	1	STRUNZ Optical Suction Tube, outer diameter 2.5 mm, for use with HOPKINS® Straight Forward Telescope 10324 AA and Bronchoscopes 10339 A/B/BB/C/CD/G

